



B&C Plastics Ltd.

767 Mckay Road
Pickering., Ontario. L1W 3A3
Tel: (905) 427 - 3324
Fax: (905) 427 -1548

info@bcplasticsltd.com
www.bcplasticsltd.com

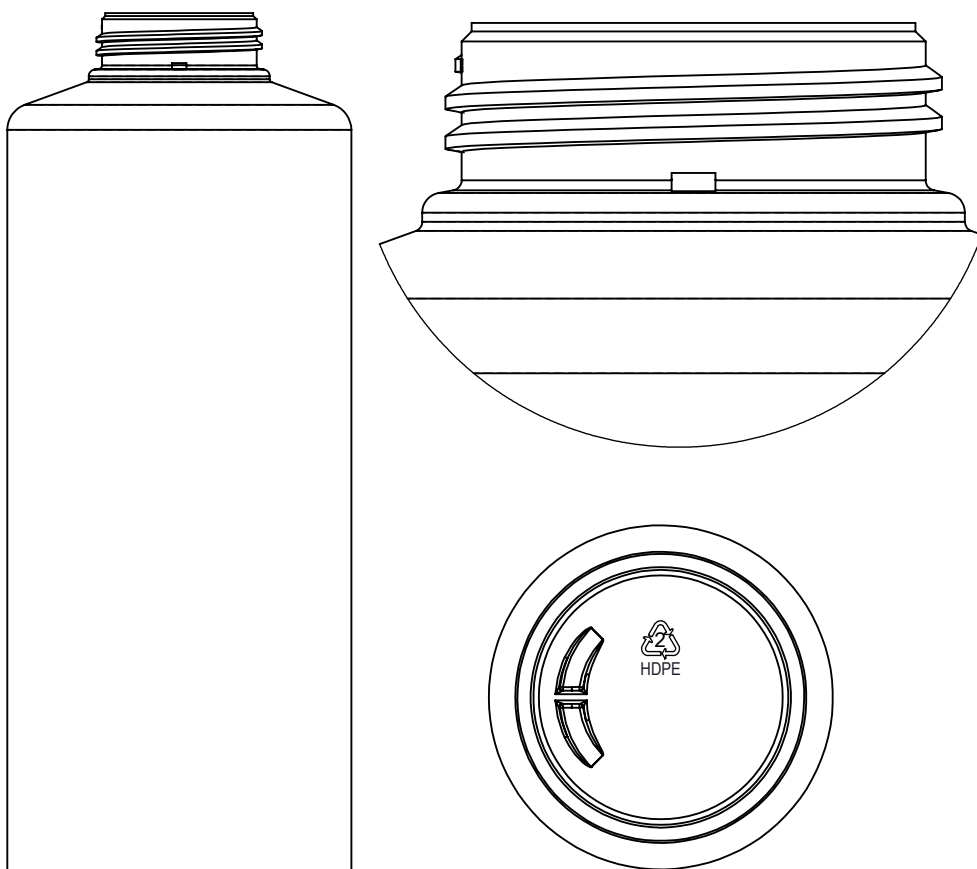
B&C Plastics Ltd.
1st Quality Blowmolders

Document Number: G40170-SS
Approved By: Corey Gambon
corey@bcplasticsltd.com
Revised: June 1 2010

Tall, round and sleek, our cylinders have great shelf presence and are easy to decorate, fill and pack. Part of the B&C Plastics Ltd. cylinder family which allows you to mix and match you many needs.

Performance Specifications:

Containers are manufactured with virgin high density polyethylene (HDPE) resins which conform to the **Health Protection Branch in Canada** and are in compliance with **The Food and Drug Administration of the United States of America.**



Dimensions and Weights:

Rated Capacity: 1000ml	Regular Weight: 60 grams
Overflow Capacity: 1088ml	Medium Duty Weight: On Request
Height: 9.215"	Heavy Duty Weight: On Request
Diameter: 3.250"	Minimum Wall Thickness: 0.035"
Label Panel: H 7.505" x D 3.250"	Neck Finish: 40mm EBM Airspray Foamer

Note: Container Dimensions may change according to weight and color.

Special Features:

Neck Finish: 40mm neck finish to accept Airspray 40mm foamer.
 Surface Treatment: Containers are flame treated for labeling and silk screening.
 Design: Center opening design provides additional top load strength. Locator key for silk screening.

Packaging and Shipping:

Quantity per Case:	144 units	Quantity per trailer 53':	44,928 units
Quantity per Pallet:	1728 units	Pallets per trailer 53':	26 pallets
Pallet Weight:	105 kgs		

Stock Sku's

Not a stock item.

Minimum Run 25,000 units.

Custom Options:

PCR at 25 % (minimum required)

Filling Recommendations

- Compatibility of containers with the fill product is sole responsibility of the end user.
- Fill contents should not exceed 70 C (158 F) at time of fill.
- Filled containers should not be stacked and stored above 50 C (122 F)

Notice:

This drawing contains proprietary information of B&C Plastics Ltd. Neither this drawing of its contents may be used, undisclosed to others, or reproduced for any purpose other than that for which it is lent, without the express written permission of B&C Plastics Ltd

© B&C Plastics Ltd. 2009

1 Litre Cylinder Foamer Mould Number(s): 40170