



B&C Plastics Ltd.

767 Mckay Road
Pickering., Ontario. L1W 3A3
Tel: (905) 427 - 3324
Fax: (905) 427 -1548

info@bcplasticsltd.com
www.bcplasticsltd.com

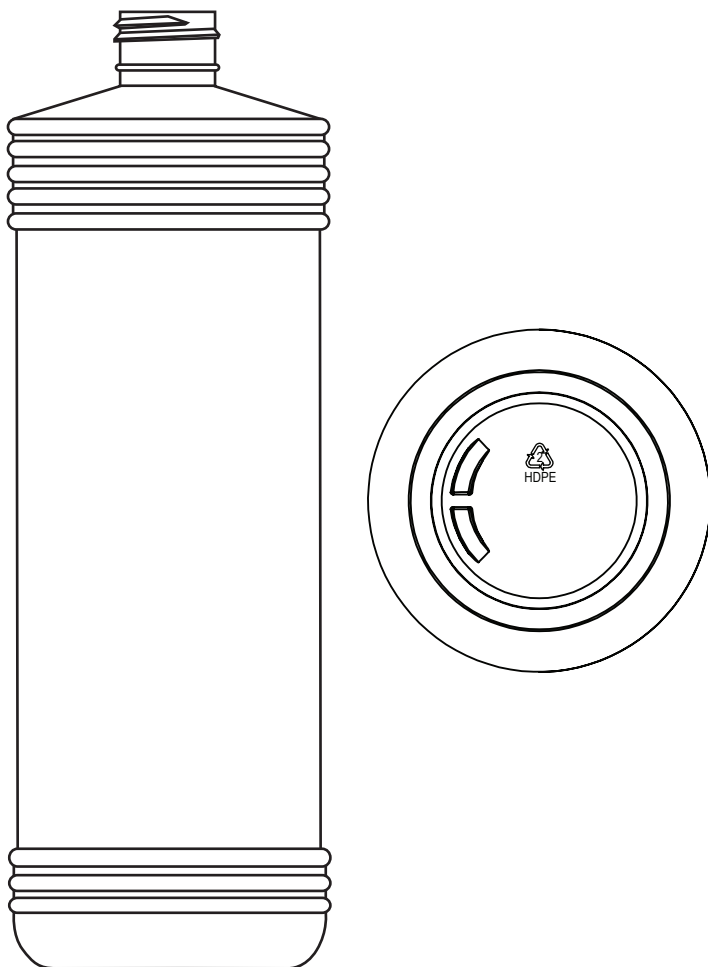
B&C Plastics Ltd.
1st Quality Blowmolders

Document Number: G3040E-SS
Approved By: Corey Gambon
corey@bcplasticsltd.com
Revised: June 1 2010

Tall, round and sleek, our cylinders have great shelf presence and are easy to decorate, fill and pack. Part of the B&C Plastics Ltd. cylinder family which allows you to mix and match you many needs.

Performance Specifications:

Containers are manufactured with virgin high density polyethylene (HDPE) resins which conform to the **Health Protection Branch in Canada** and are in compliance with **The Food and Drug Administration of the United States of America.**



Dimensions and Weights:

Rated Capacity: 24oz	Regular Weight: 45 grams
Overflow Capacity: 715ml	Medium Duty Weight: on request
Height: 8.650"	Heavy Duty Weight: on request
Diameter: 2.885"	Minimum Wall Thickness: 0.035"
Label Panel: H 5.595" x D 2.730"	Neck Finish: M24 SP410

Note: Container Dimensions may change according to weight and color.

Special Features:

Neck Finish: 24mm neck designed for SP 410 closures.
 Surface Treatment: Containers are flame treated for labeling and silk screening.
 Design: Center opening design provides additional top load strength. Locator key for silk screening. Recessed label panel allows for label and sleeve protection.

Packaging and Shipping:

Quantity per Case:	210 units	Quantity per trailer 53':	65,520units
Quantity per Pallet:	2520 units	Pallets per trailer 53':	26 pallets
Pallet Weight:	113 kgs		

Stock Sku's

Not a stock item.
Custom Requests only.

Custom Options:

PCR at 25 % (minimum required)
Controlled I.D. for fitment plug.
Inhouse application of stretch sleeves

Filling Recommendations

- Compatibility of containers with the fill product is sole responsibility of the end user.
- Fill contents should not exceed 70 C (158 F) at time of fill.
- Filled containers should not be stacked and stored above 50 C (122 F)

Notice:

This drawing contains proprietary information of B&C Plastics Ltd. Neither this drawing of its contents may be used, undisclosed to others, or reproduced for any purpose other than that for which it is lent, without the express written permission of B&C Plastics Ltd

© B&C Plastics Ltd. 2010

24oz Ribbed Cylinder Mould Number(s): 3040E